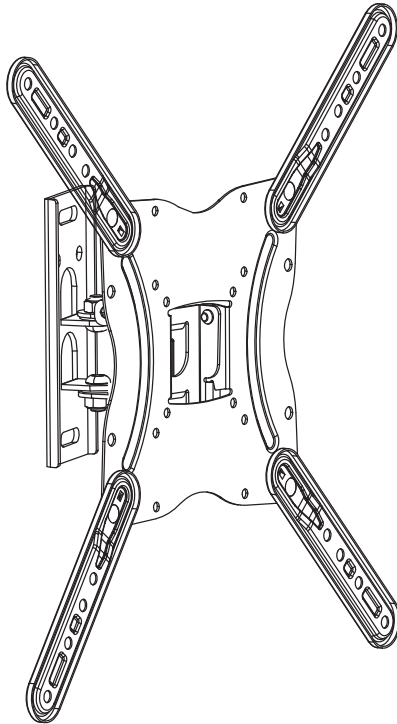




13"-55" Articulating TV Wall Mount Bracket



CAUTION: DO NOT EXCEED RATED LISTED WEIGHT. SERIOUS INJURY OR PROPERTY DAMAGE MAY OCCUR!

650405

VESA

75x75 100x100
200x100 200x200
300x300 400x400

MOST

13" - 55"

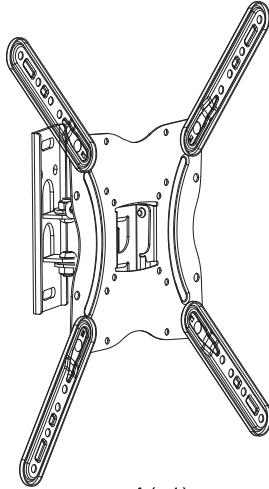
TVs



Rated

30kg/66lbs

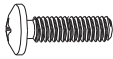
INSTALLATION MANUAL



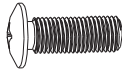
A(x1)



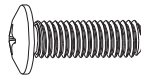
M4x14 (x4)
M-A



M5x14 (x4)
M-B



M6x14 (x4)
M-C



M8x20 (x4)
M-D



M8x50 (x4)
M-E



D5 washer (x4)
M-F



D8 washer (x4)
M-G



D8xH5(x8)
M-H



D8xH15(x4)
M-I



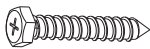
J(x4)



K(x4)



L(x4)



W-A(x4)

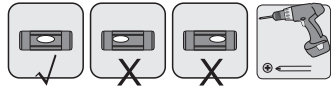
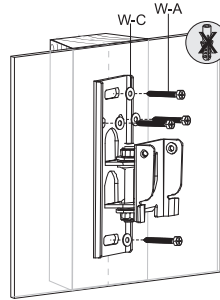
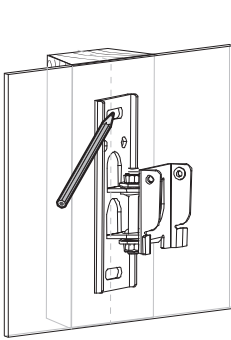
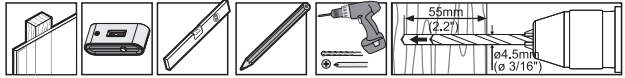


W-B(x4)

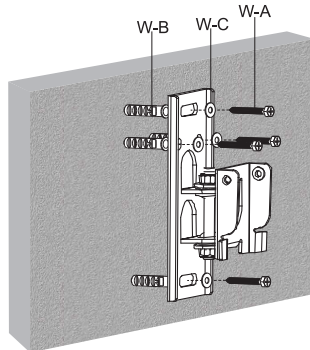
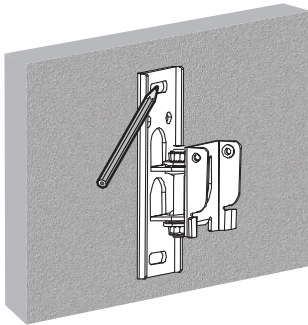


W-C(x4)

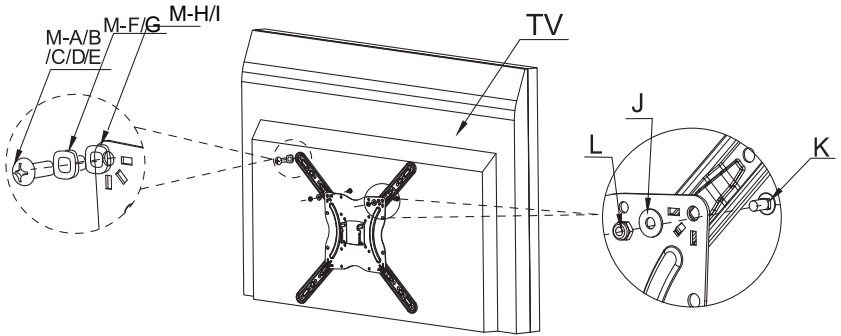
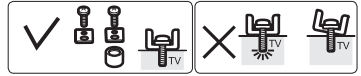
1.1



1.2



2.



3.

