



www.equip-info.net

equip 19" wall-mounted Cabinet DELTA 5D

This cabinet is a very successful version of two-sectioned cabinets. Opening parts of the cabinet enable an easy access to the rear of devices.



Overview

The two-sectioned 19" wall-mounted cabinet with IP 30 protection has a robust welded construction. High quality processing and the newest technologies ensure a long operating life time. The cabinet door is glass standardly but it can be replaced by steel or perforated doors if required. The hinge system enables almost 180° wide opening of the door. The door can be easily removed and mounted for a change of the door opening direction. The vertical 19" rails (1x pair) can be adjusted freely in any depth of the cabinet. This simplifies the mounting of the devices and the configuration of connecting cables.

Easy Access

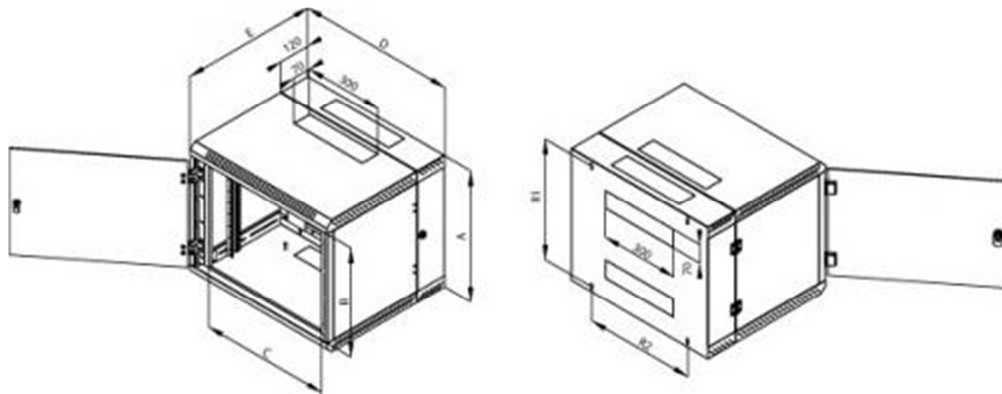
Opening parts of the cabinet enable an easy access to the rear cabinet section. You can easily remove the front part of the cabinet after unlocking chain shackles. All parts are interconnected and earthed.

Breakout-type Blanking Panels

The cable openings are covered with breakout-type blanking panels ready in the top, bottom and rear part of the cabinet. Use a plastic frame and a blanking panel with a brush, which is a part of the packaging, to seal the cabinet opening against dust penetration.

Key Features

- solid welded steel construction
- 4 removable cable entries
- slots for passive ventilation
- lockable 5 mm safety hardened glass door
- depth adjustable profile rails
- sheet steel enclosure, color: light grey RAL 7035 or black RAL 9005
- incl. grounding set, brush insert and mounting material
- WxD 600x515mm
- installation depth: max. 440mm



equip Article No		A	B	C	D	E	R1	R2	Weight gross kg	Weight net kg	Maximal recommended load kg
grey	black	mm									
906506	996506	370	265	490	600	515	324	420	18,3	17,9	20
906509	996509	500	395	490	600	515	454	420	21,7	21,4	25
906512	996512	635	530	490	600	515	589	420	25,4	25,1	
906515	996515	770	665	490	600	515	724	420	29,1	28,7	30
906518	996518	900	795	490	600	515	854	420	32,5	32,1	

Material

tempered safety glass 5 mm
sheet steel

Order-Information

equip 19 two-sectioned wall-mounted Cabinet DELTA 5D

Packaging

2x key - front door, 4x screw 6x50, 4x washer 6,6, 4x dowel 10, 8x captive nut M6, 1x blanking panel with brush