



www.equip-info.net

equip 19" wall-mounted Cabinet DELTA 4S

The fully welded wall-mounted cabinet is a classic for medium size installations.



Overview

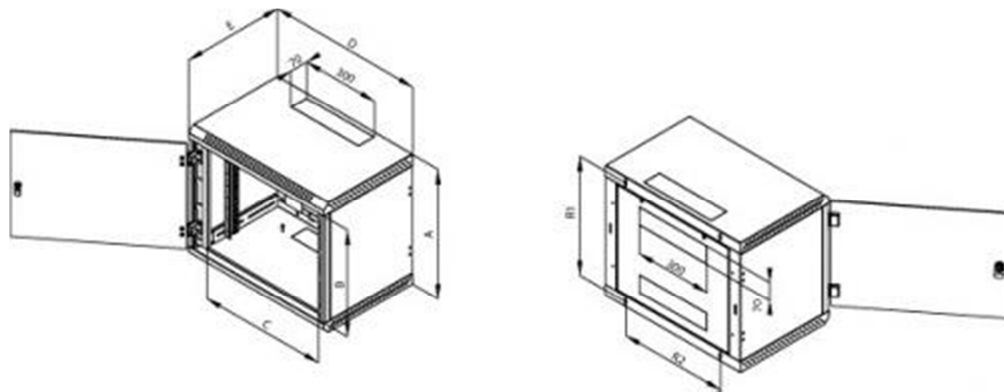
The one-sectioned 19" wall-mounted cabinet with IP 30 protection has a robust welded construction. High quality processing and the newest technologies ensure a long operating life time. The cabinet door is glass standardly but it can be replaced by steel or perforated doors if required. The hinge system enables almost 180° wide opening of the door. The door can be easily removed and mounted for a change of the door opening direction. The vertical 19" rails (1x pair) can be adjusted freely in any depth of the cabinet. This simplifies the mounting of the devices and the configuration of connecting cables.

Breakout-type Blanking Panels

The cable openings are covered with breakout-type blanking panels ready in the top, bottom and rear part of the cabinet. Use a plastic frame and a blanking panel with a brush, which is a part of the packaging, to seal the cabinet opening against dust penetration.

Key Features

- solid welded steel construction
- 4 removable cable entries
- slots for passive ventilation
- lockable 5 mm safety hardened glass door
- depth adjustable profile rails
- sheet steel enclosure, color: light grey RAL 7035 or black RAL 9005
- incl. grounding set, brush insert and mounting material
- WxD 600x395mm
- installation depth: max. 340mm



equip Article No		A	B	C	D	E	R1	R2	Weight gross kg	Weight net kg	Maximal recommended load kg
grey	black	mm									
906406	996406	370	265	490	600	395	324	420	14,8	14,5	30
906409	996409	500	395	490	600	395	454	420	17,8	17,4	
906412	996412	635	530	490	600	395	589	420	20,9	20,5	
906415	996415	770	665	490	600	395	724	420	24	23,6	
906418	996418	900	795	490	600	395	854	420	27	26,6	

Material

tempered safety glass 5 mm
sheet steel

Order-Information

equip 19" one-sectioned wall-mounted Cabinet DELTA 4S

Packaging

2x key - front door, 4x screw 6x50, 4x washer 6,6, 4x dowel 10, 8x captive nut M6, 1x blanking panel with brush