

32"-55" Tilt/Swivel TV Wall Mount Bracket

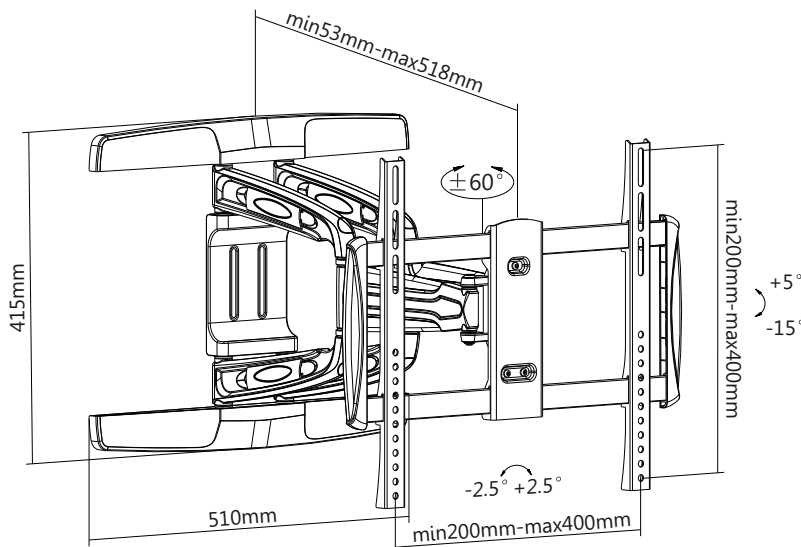
Model No.: 650314



I Overview

The equip[®] TV Wall Mount Bracket is a compact but sturdy product that ensures a reliable installation of your LCD/Plasma TV. Follow the graphic guide included in the package, you can install your TV on your own with ease. The wall bracket fits most of the wall materials- brick, concrete and wood, making the ideal choice for you to set up your screens.

I Drawing



I Key Features

- Swiveling arm offer maximum viewing flexibility
- Swivel and Tilt wall mount
- VESA standards compliant

I Specification

Material	Steel, Aluminum, Plastic
Surface Finished	Powder Coating
Color	Black, Silver
Dimension	518x510x439mm
Suggested Screen Size	32" - 55"
Support Curved TV	Yes
Load Capacity	50KG
VESA Mount Standard	200x200, 300x300, 400x200, 400x400
Max. VESA	400x400mm
Mounting Hole Pattern	Universal
Distance to Wall	53 ~ 518mm
Screen Freely Tilting	Yes
Tilt Range	-15° ~ +5°
Swivel Range	-60° ~ +60°
Installation	Single Stud
Screen Level	-2.5° ~ +2.5°
Wall Plate Type	Fixed Wall Plate
Cable Management	Yes

I Package Contents

- 1 x Wall Mount Bracket
- 1 x Screw Pack
- 1 x Quick Installation Guide

