

13"-27" Articulating Dual Monitor Tabletop Stand

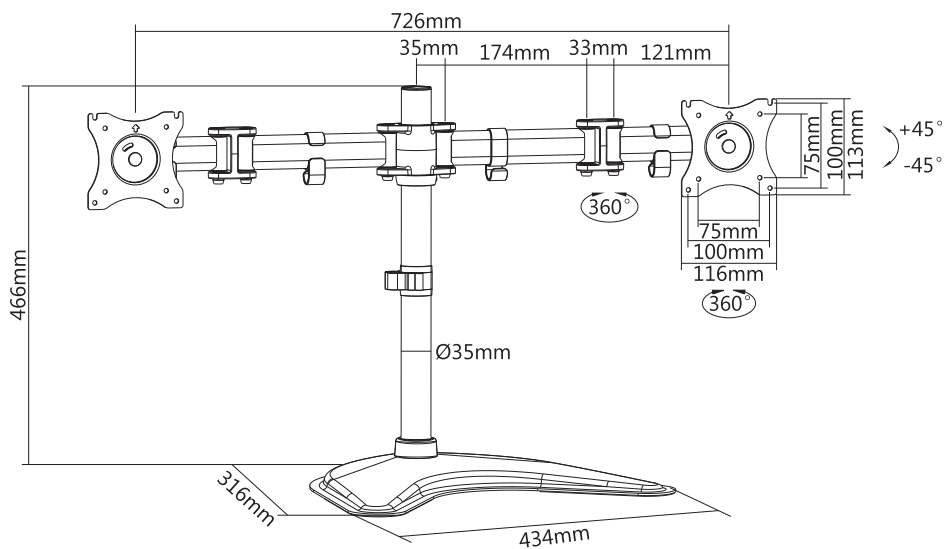
Model No.: 650118



I Overview

The equip[®] Dual Monitors Desk Mount Bracket is a compact but sturdy product that ensures a reliable installation of your LCD/LED monitor. Follow the graphic guide included in the package, you can install your monitor on your own with ease.

I Drawing



I Key Features

- 360° Rotary VESA Plate
- Easy to adjust height
- Built in cable management
- VESA standards compliant

I Specification

Material	Steel, Aluminum
Surface Finished	Powder Coating
Color	Black
Dimension	842x316x466mm
Installation	Free Standing
Suggested Screen Size	13" - 27"
Support Curved TV	No
Screen Q'ty	2
Load Capacity	8KG per Monitor
VESA Mount Standard	75x75, 100x100
Tilt Range	+45° ~ -45°
Swivel Range	+90° ~ -90°
Screen Rotation	+180° ~ -180°
Arm Full Extension	328mm
Pole Height	466mm
Quick Release VESA Plate	No
Anti-Theft	No
Cable Management	Yes

I Package Contents

- 1 x Dual Monitor Desk Mount Bracket
- 1 x Screw Pack
- 1 x Quick Installation Guide

