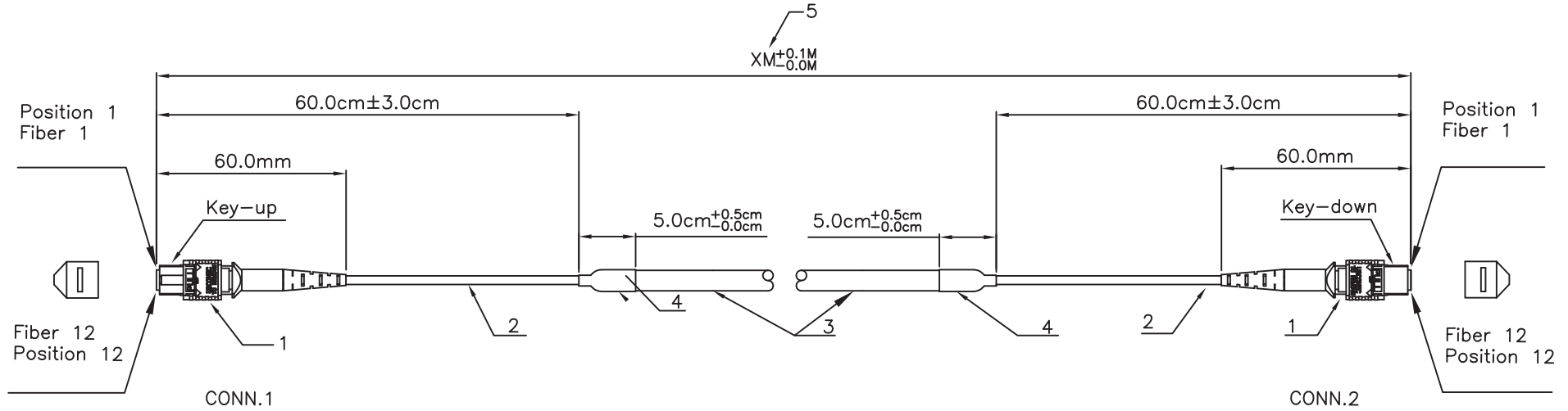


# 12 CORE FIBER OPTIC CABLE MTP/UPC-MTP/UPC 50/125 OM4 , TYPE A



Specification :

Material :

1. MTP Connector : Female

Mode	MT Ferrule	Housing	Boot	Cap
MM	12 Fibers MM Black(PPS)	Ivory/Black/Aqua/Violet(PBT)	Black(TPR)	Black(TPR)
MM Low Loss	12 Fibers MM Low Loss Black(PPS)	Aqua/Violet(PBT)	Black(TPR)	Black(TPR)
SM APC	12 Fibers SM Black(PPS)	Green(PBT)	Black(TPR)	Black(TPR)
SM Low Loss	12 Fibers SM Low Loss Black(PPS)	Yellow(PBT)	Black(TPR)	Black(TPR)

2&3. Cable Type : 12C Trunk

Category	Jacket O.D.	Jacket Material	Color
OM1(62.5/125um)	ø3.0mm&ø6.5mm	PVC OFNR/PVC OFNP/LSFRZH	Orange
OM2(50/125um)	ø3.0mm&ø6.5mm	PVC OFNR/PVC OFNP/LSFRZH	Orange
OM3(50/125um)	ø3.0mm&ø6.5mm	PVC OFNR/PVC OFNP/LSFRZH	Aqua
OM4(50/125um)	ø3.0mm&ø6.5mm	PVC OFNR/PVC OFNP/LSFRZH	Violet

4. Heat Shrink Tubing Length : 5.0cm

5. Length : X Meter

Performance :

a. Insertion Loss & Return Loss :

	MM	MM Low Loss	SM APC	SM Low Loss
Insertion Loss	<0.5 dB	<0.35 dB	<0.75 dB	<0.35 dB
Return Loss			≥60 dB	≥60 dB

b. Fiber Overcut(MTP) : 1.0~3.0um

c. Operating Temperature : -20°C to +70°C

d. Storage Temperature : -40°C to +80°C

CONN.1 Fiber Number	Coating Color	CONN.2 Fiber Number
Fiber 1	Blue	Fiber 1
Fiber 2	Orange	Fiber 2
Fiber 3	Green	Fiber 3
Fiber 4	Brown	Fiber 4
Fiber 5	Gray	Fiber 5
Fiber 6	White	Fiber 6
Fiber 7	Red	Fiber 7
Fiber 8	Black	Fiber 8
Fiber 9	Yellow	Fiber 9
Fiber 10	Purple	Fiber 10
Fiber 11	Pink	Fiber 11
Fiber 12	Aqua	Fiber 12

