

1

2

3

4

5

6

A

A

B

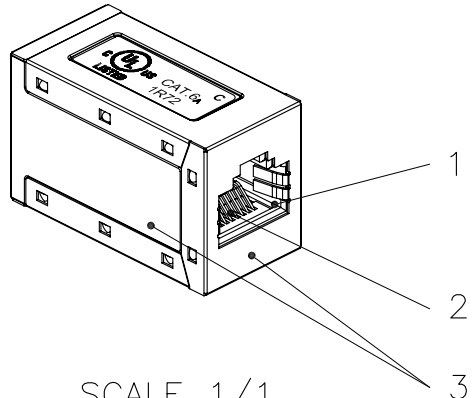
B

C

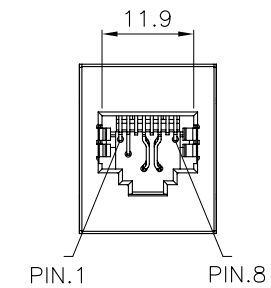
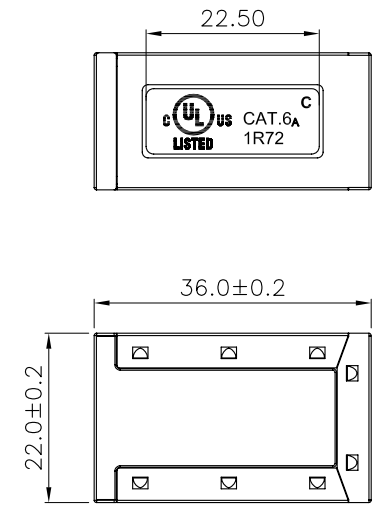
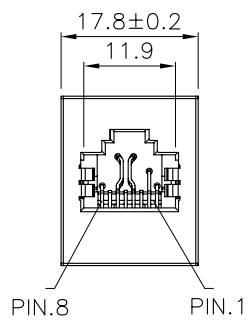
C

D

D



SCALE 1/1



Specification :

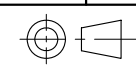
Material :

- 1. RJ45 Jack :
 - 1-1. Housing : ABS, UL 94V-0, with Black color.
 - 1-2. Contact Bracket : PC, UL 94V-2, Transparent color.
- 2. RJ45 Jack Contact :
 - 2-1. Material : Phosphor Bronze with Nickel plated.
 - 2-2. Finish : 50 micro-inch Gold plated on Plug contact area.
- 3. RJ45 Jack Shield : Bronze with Nickel Plated.
- 4. PCB : FR4, UL 94V-0.

Performance :

- a. Insertion force : 30N max. (IEC 60603-7-5)
- b. Retention strength : 7.7 kg between Jack and Plug.
- c. Operating temperature : -10°C to 60°C. (ISO/IEC 11801, ANSI/TIA/EIA 568 B.2)
- d. Life(mating cycles) : 750 cycles min. (ISO/IEC 11801, IEC 60603-7-5)
- e. The CAT.6A channel transmission performance is in compliance with TIA/EIA 568C.2 10G & ISO/IEC 11801 standard.

GENERAL TOLERANCE OF DIMENSIONS X.XXX ±0.005 X.XX ±0.05 X.X ±0.1	DRAWING	28.OCT.2010	QIQI		
	CHECK	28.OCT.2010	JANE		
	APPROVAL	28.OCT.2010	JAIMY		
		DATE	NAME	ITEM NO.:	221169
	SCALE	1/1 (A4)	UNIT	mm	DES.: CAT.6A FULL SHIELDED IN-LINE COUPLER
			DRAWING NO.		
			DRAWING CLASSIFICATION	S	SHEET 1 OF 1



1

2

0

3

4

10cm

5

6