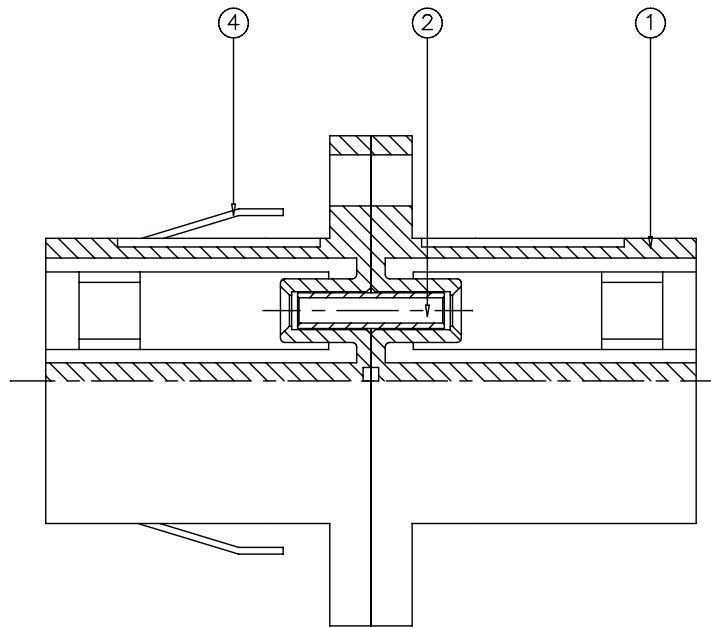
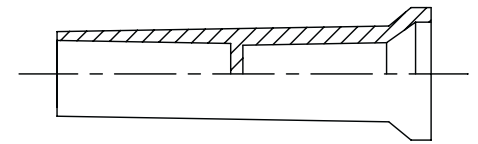


White



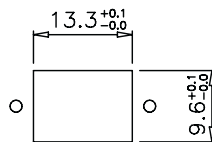
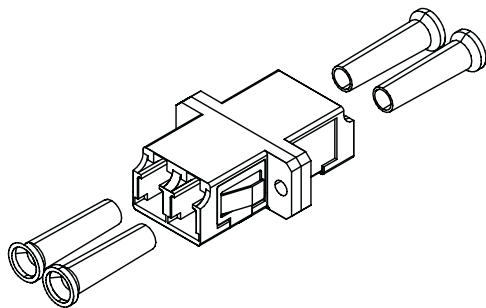
Ivory



White

## DESCRIPTION

RECOMMENDED PANEL THICKNESS  $1.60 \pm 0.1$



SUGGESTED PANEL CUTOUT

## MECHANICAL :

	<b>MATERIAL</b>	<b>Q'TY</b>
1. HOUSING	PC	2
2. SLEEVE	PHOSPHOR BRONZE	2
3. DUST COVER	TPU	4
4. CLIP	STAINLESS	1

NOTE: TOL  $\pm 0.1$  m/m



**DIGITAL DATA  
COMMUNICATIONS**



156151007\_LC-Duplex Adapter/Coupler Multimode, beige