



Cat.6A RJ45 Tool-free Plug

121171

The equip Tool-less Modular Plug provides the ideal solution for custom design length of network cable. The modular plugs are manufactured from high-impact clear polycarbonate in order to withstand insertion and pulling in any circumstances. Provides user with an ease and tool-free installation.

| Specification

Category	Cat.6A
Material	Plastic + Metal
Shielding	FTP, Shielded
Gold Plated	Yes

| Drawing:

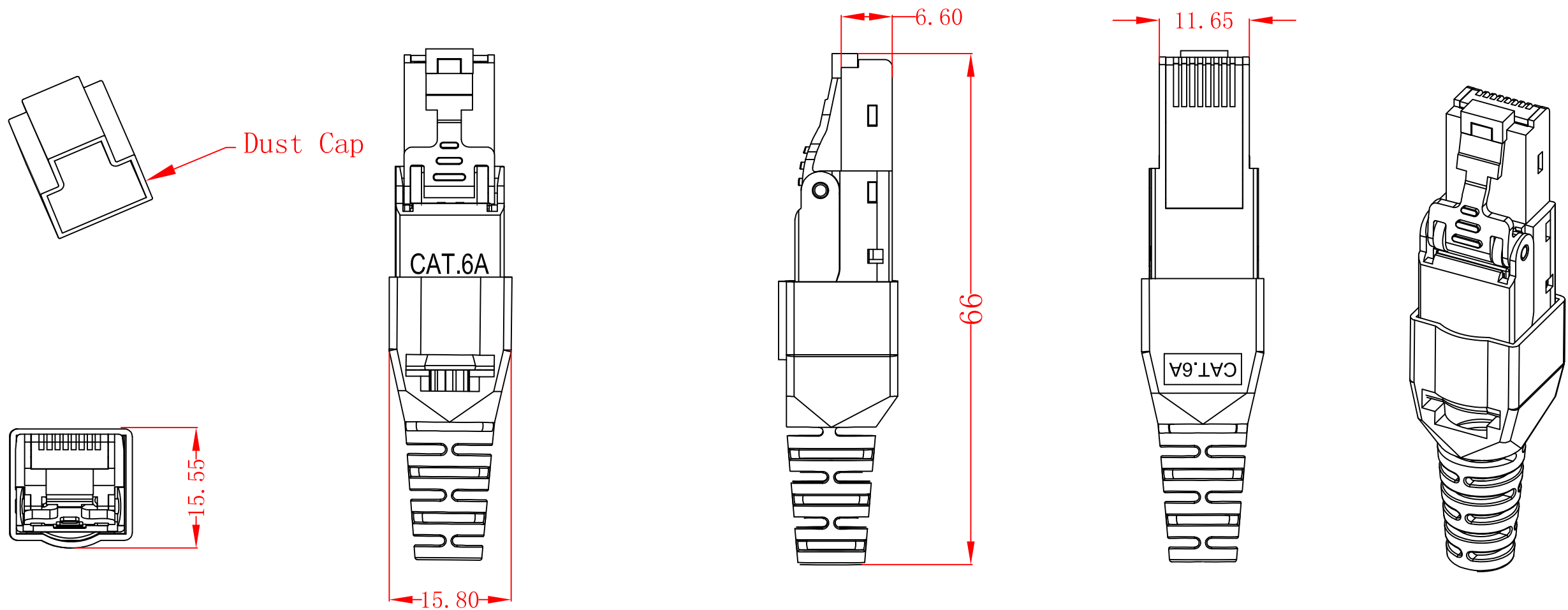
| Ordering Information

PN	EAN	Color
121171	4015867223192	Transparent

| Package Contents -

Cat.6A RJ45 plug

Packing: equip zip bag (5pcs/pack)



ELECTRICAL:

1. CONTACT RESISTANCE: 20M OHMS MAX
2. INSULATION RESISTANCE: 250M OHMS MIN @500 DC
3. WITHSTAND VOLTAGE: DC1000V AC700V RMS 60HZ, 1MIN
4. CAT6A PERMANENT LINK: CONFORM TO ANST/TIA/EIA 568B. 2-10

ENVIRONMENTAL:


5. STORAGE: -40° / +70°
6. OPERATION: -10° / 60°

MECHANICAL:

7. SHELL MATERIAL: PC
8. IDC MATERIAL: PC
9. TERMINAL: PHOSPHOR BRONZE, TIN
GOLD 3U " / 6U " /15U " /30U " /50U "
10. RJ45 CONTACT LIFE: 750 TIMES MIN
11. IDC LIFE: 750 TIMES MIN

TYPE:

12. SHIELDED CAT6A TOOLLESS PLUG
13. FOR BOTH SOLID AND STRANDED CABLE

									
						Material		Item No.	121171
						Angles Projection		Size	Scale
						Sheet		1 OF 1	Version: A/0
						Part Name		FTP Cat. 6a Toolless-plug RJ45	
						ERP Part No.			
SYM	Number	Bill No. of Alteration	Signature	Date	Tolerance				
Drawn	Ding jian bo	2015.12.29			0.00-20.00 ±0.10				
Checked	Ge pei jun	2015.12.29			20.00-50.00 ±0.15				
Approved	Wang wei jun	2015.12.29			50.00-100.00 ±0.20				
					100.00-Angle ±0.25				
					±30'				