

1

2

3

4

5

A

B

C

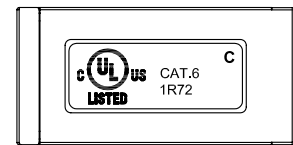
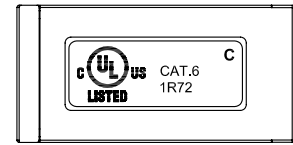
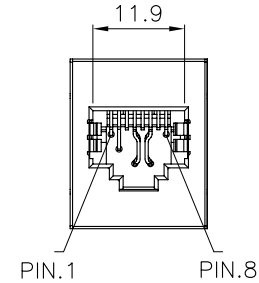
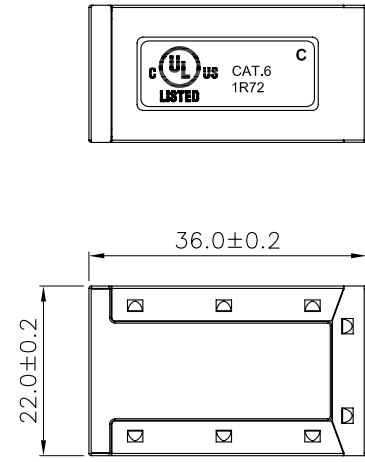
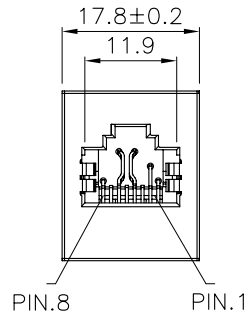
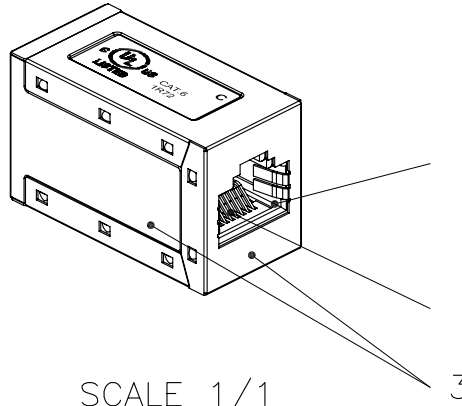
D

A

B

C

D



Specification :

Material :

1. RJ45 Jack
 - 1-1. Housing : ABS, UL 94V-0, with Black color.
 - 1-2. Contact Bracket : PC, UL 94V-2, Transparent color.
2. RJ45 Jack Contact :
 - 2-1. Material : Phosphor Bronze with Nickel plated.
 - 2-2. Finish : 50 micro-inch Gold plated on Plug contact area.
3. RJ45 Jack Shield : Bronze with Nickel Plated.
4. PCB : FR4, UL 94V-0.

Performance :

- a. Insertion force : 30N max. (IEC 60603-7-5).
- b. Retention strength : 7.7 kg between Jack and Plug.
- c. Operating temperature : -10°C to 60°C. (ISO/IEC 11801, ANSI/TIA/EIA 568 B.2)
- d. Life(mating cycles) : 750 cycles min. (ISO/IEC 11801, IEC 60603-7-5)
- e. The Cat.6 transmission performance is in compliance with the ANSI/TIA/EIA 568 B.2-1 standard.

GENERAL TOLERANCE OF DIMENSIONS X.XXX ±0.005 X.XX ±0.05 X.X ±0.1	CHECK			
	APPROVAL			
		DATE	NAME	121169
	SCALE	(A4)	UNIT	mm
		DRAWING NO.		
		DRAWING CLASSIFICATION		

1

2

0

3

4

10cm

5