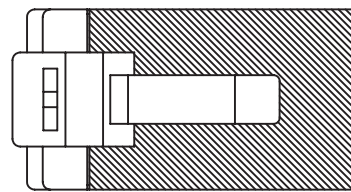
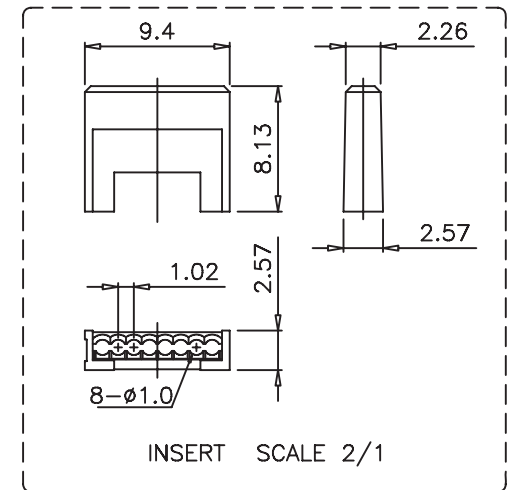
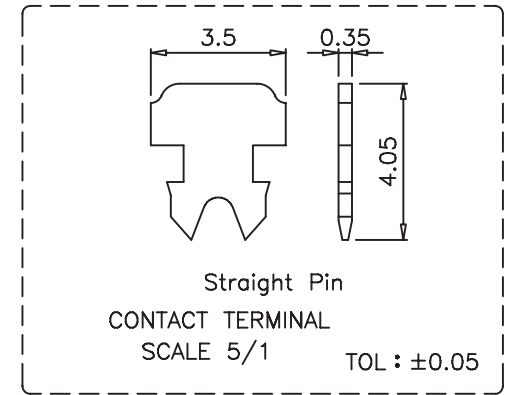
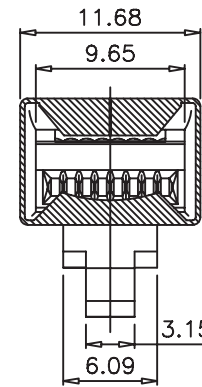
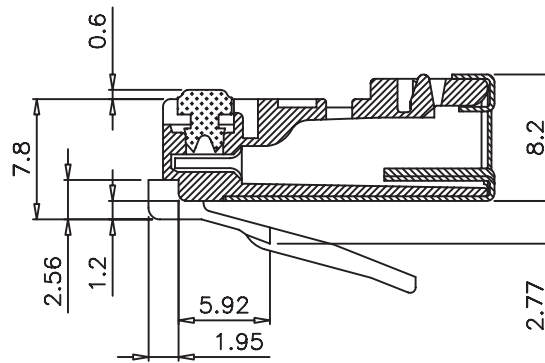
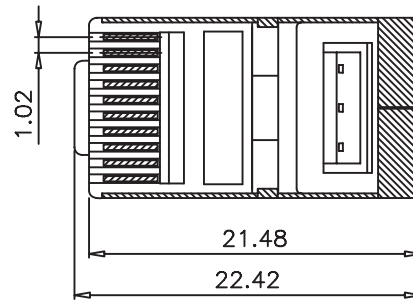
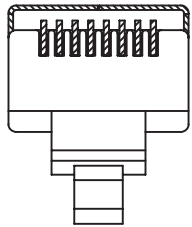


SCALE 2/1



Specification :

Material :

- 1. Housing : Polycarbonate, UL 94V-2, Transparence color.
- 2. Shield : Bronze with Nickel plated.
- 2. Contact Terminal : Phosphor Bronze.

Finished : 50 micro-inch Gold plating
over 50 micro-inch Nickel plated on contact area.

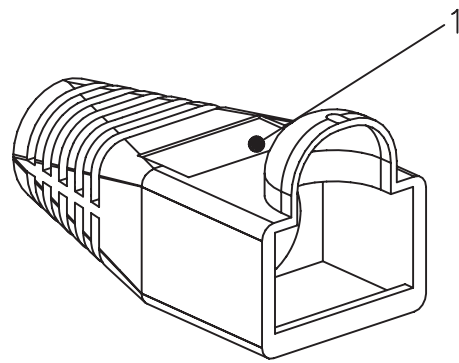
Performance :

- a. Operation Temperature : -40°C to 80°C.
- b. Cable to Plug Tensile Strength : 7.7 kgs.
- c. Use for 24-26 AWG stranded wires.

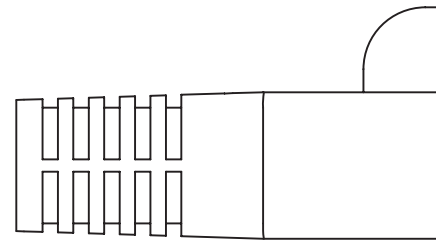
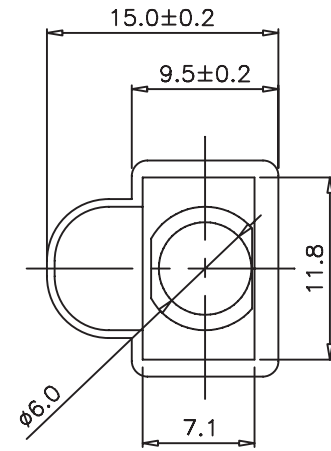
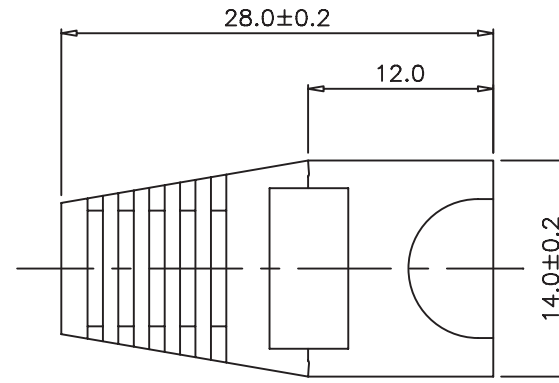
Remark : PRA-S88XX
(1)

(1) XX : Gold plating Thickness
50=50U".

GENERAL TOLERANCE OF DIMENSIONS ±0.1	DRAWING	22.JUN.2005	ZWF	
	CHECK	22.JUN.2005	DAY	
	APPROVAL	22.JUN.2005	JAIMY	
		DATE	NAME	
SCALE	2/1 (A4)	UNIT	mm	DES.: Shielded 8P8C With Insert
		DRAWING NO. PRA-S88XXXX(SA1)		
DRAWING CLASSIFICATION		S	SHEET 1 OF 1	






SCALE 2/1



Boot COLOR: GRAY=(RAL7035)

Specification :

Material :
1. SR : PVC 70%.

GENERAL TOLERANCE OF DIMENSIONS X.XXX ±0.005 X.XX ±0.05 X.X ±0.1	DRAWING	27.APR.2008	LSY		
	CHECK	27.APR.2008	LSY		
	APPROVAL	27.APR.2008	JAIMY		
		DATE	NAME	ITEM NO.: PBAJAA3107XXXXX	
	SCALE	2/1 (A4)	UNIT	mm	DES.: SR-V11 Ø6.0mm
			DRAWING NO. PBAJAA3107XXXXX&SR-V11-XXB(SA1)		
	DRAWING CLASSIFICATION		S	SHEET 1 OF 1	