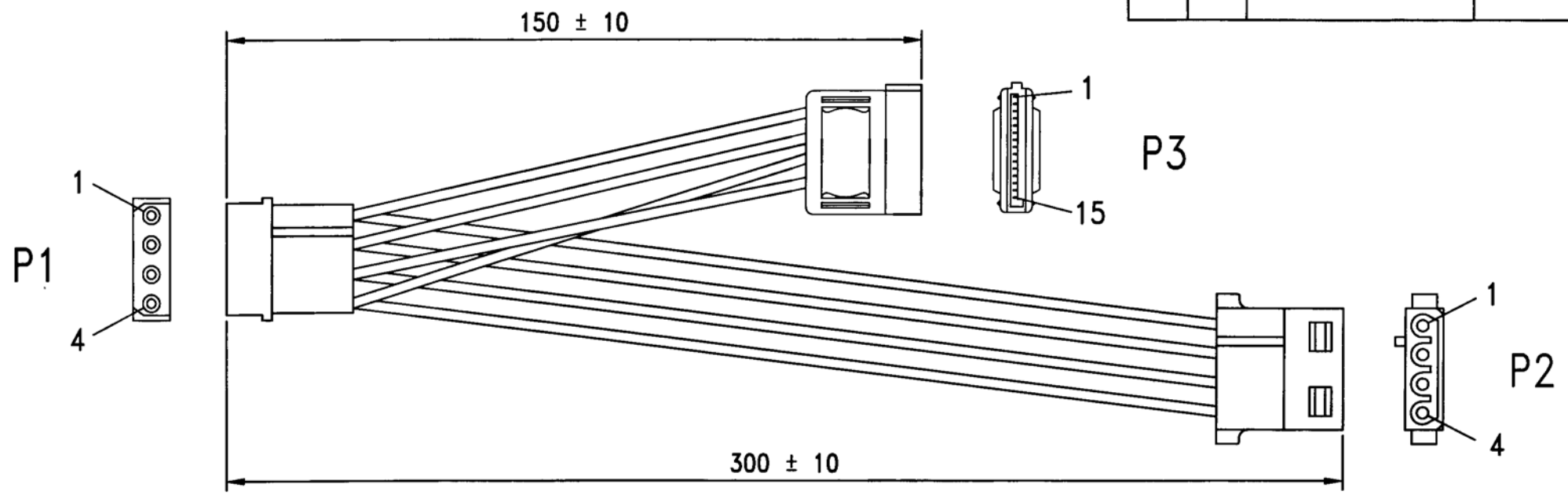


LTR	REV.	DESCRIPTION	DATE



**NOTE:**

1. HOOK UP WIRE : UL1007 22AWG

2. CONNECTOR :

P1 : 4 PIN MATE LOCK MALE .

HOUSING: #C5081WV2-4P

TERMINAL: #C5081TOB-2 .

P2 : 4 PIN MATE LOCK FEMALE .

HOUSING: #C5082H02-4P

TERMINAL: #C5082TOB-2 .

P3 : 15 PIN SATA SOCKET SOLDER TYPE

15u" GOLD PLATED CONTACT

3.ELECTRICAL TEST: <1>100% OPEN SHORT & MIS WIRE TEST.

<2>CONTACT RESISTANCE 3 Ohms MAX

<3>INSULATION RESISTANCE 20M Ohms MIN

4.PACKING: EACH PC / E'quip ZIP BAG

P2	P1	P3
1 <u>YELLOW</u>	1 <u>YELLOW</u>	1, 2, 3
2 <u>BLACK</u>	2 <u>BLACK</u>	4, 5, 6
3 <u>BLACK</u>	3 <u>BLACK</u>	10, 11, 12
4 <u>RED</u>	4 <u>RED</u>	7, 8, 9

Tolerance	Inch	M/M
.X	.015	.30
.XX	.010	.10
.XXX	.005	.05



Internal Y-Power Cable S/ATA  
2 x 5,25" (M/F)